

4 Channel PoE UPS Power Saver Module

Product Overview

When providing standby power for a PoE switch using a 240V ac UPS it is often difficult to achieve the required battery back up times due to the UPS having to power all connected devices to the switch when a mains failure occurs.

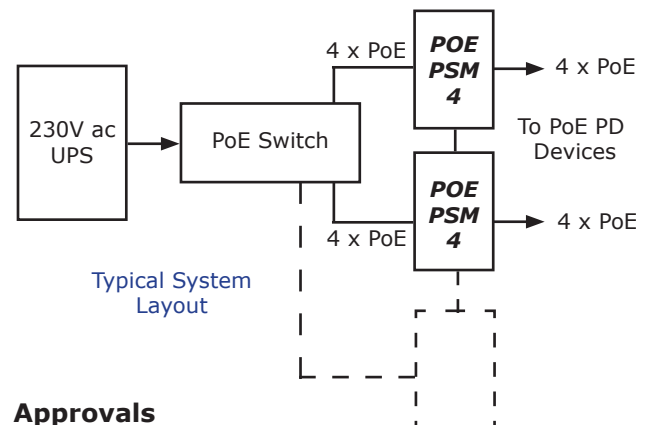
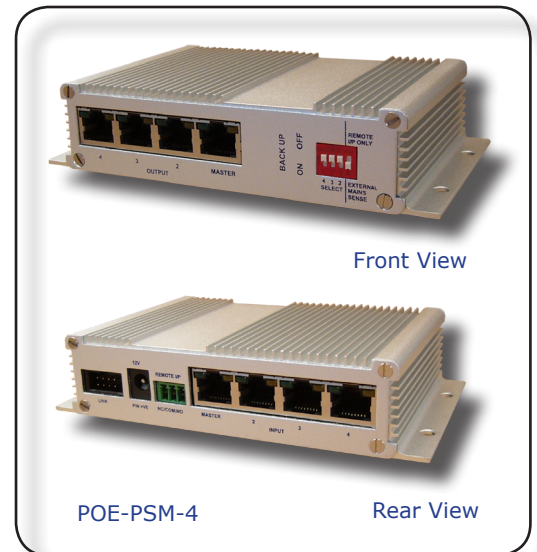
Elmdene's **POE-PSM-4** is a unique device designed to overcome this issue! When mains fails it automatically disconnects pre-selected (non-critical) PoE channels, allowing either an extended battery backup period for the critical channels or permits the system designer to 'de-spec' the UPS battery requirements to fulfil the required standby period; therefore saving costs!

The POE-PSM-4 is a 4 channel device but can be simply linked together with further units (with a supplied link cable) to increase the number of channels available for selection. Selecting the non-critical channels is conducted using simple DIL switches on the front panel of the device and confirmation status LED's highlight which channels have been selected.

The unit is self-powered by the PoE input on the master channel so there is no need for an external PSU. Triggering of the device to indicate a mains fail condition is conducted either by a contact (N/O or N/C) or by removal of a 12V dc signal.

Features

- Automatically disconnects non-critical PoE channels on a mains failure
- Provides extended standby times by a UPS under a mains fail condition
- Easy install & set-up
- 4 Input / 4 Output PoE connections per device
- Can be linked together to increase channel availability
- Works with any PoE 802.3af Endspan (switch)
- Triggered by contact or removal of a 12V signal
- Compact, neat enclosure
- Desk or wall mountable
- 3 year warranty



Approvals
CE Mark
RoHS Compliant

Technical Information

Input	4 x PoE 802.3af
Connection Type	Endspan (PoE Switch)
Output	4 x PoE 802.3af
Operating temp	-10°C to 40°C at 95% RH

Product Dimensions and Weight

L x W x H: 145 x 82 x 33mm

Weight approx 300g

