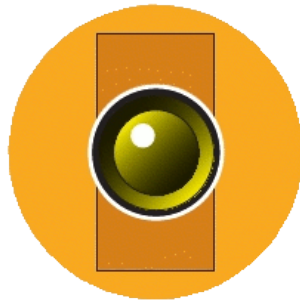


Network System

Power Supplies



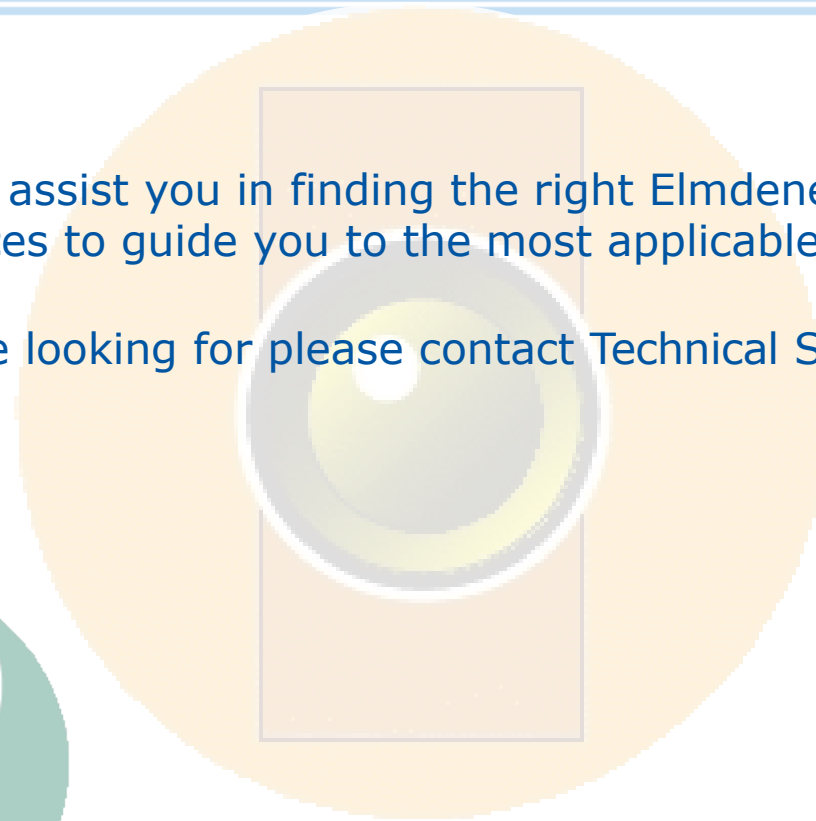
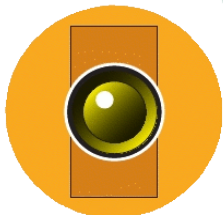
GET STARTED

Introduction



This tool has been created to assist you in finding the right Elmdene Power Supply based on making simple choices to guide you to the most applicable product range.

If you cannot find what you are looking for please contact Technical Support: 02392 696 638 – option 3

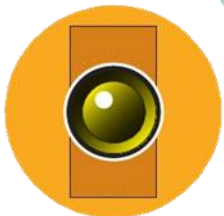
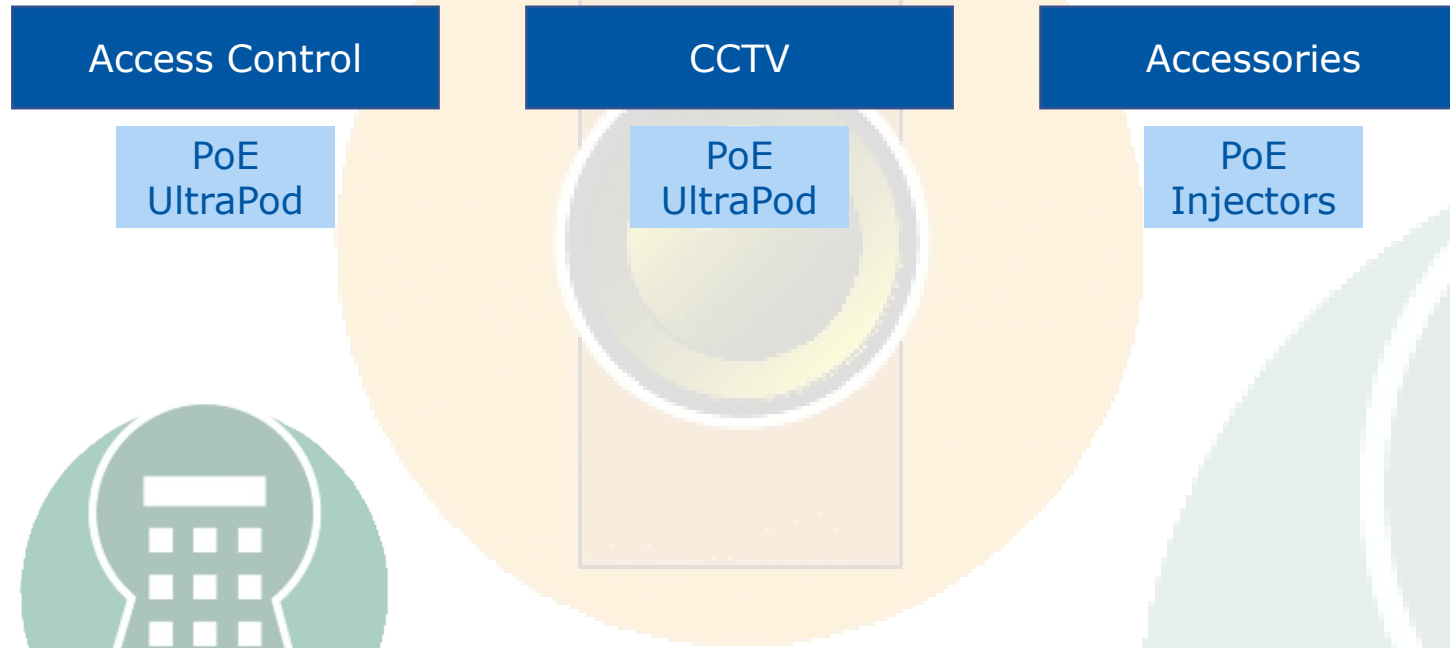


Next

Connect with Us



Network System Power Supplies



Connect with Us

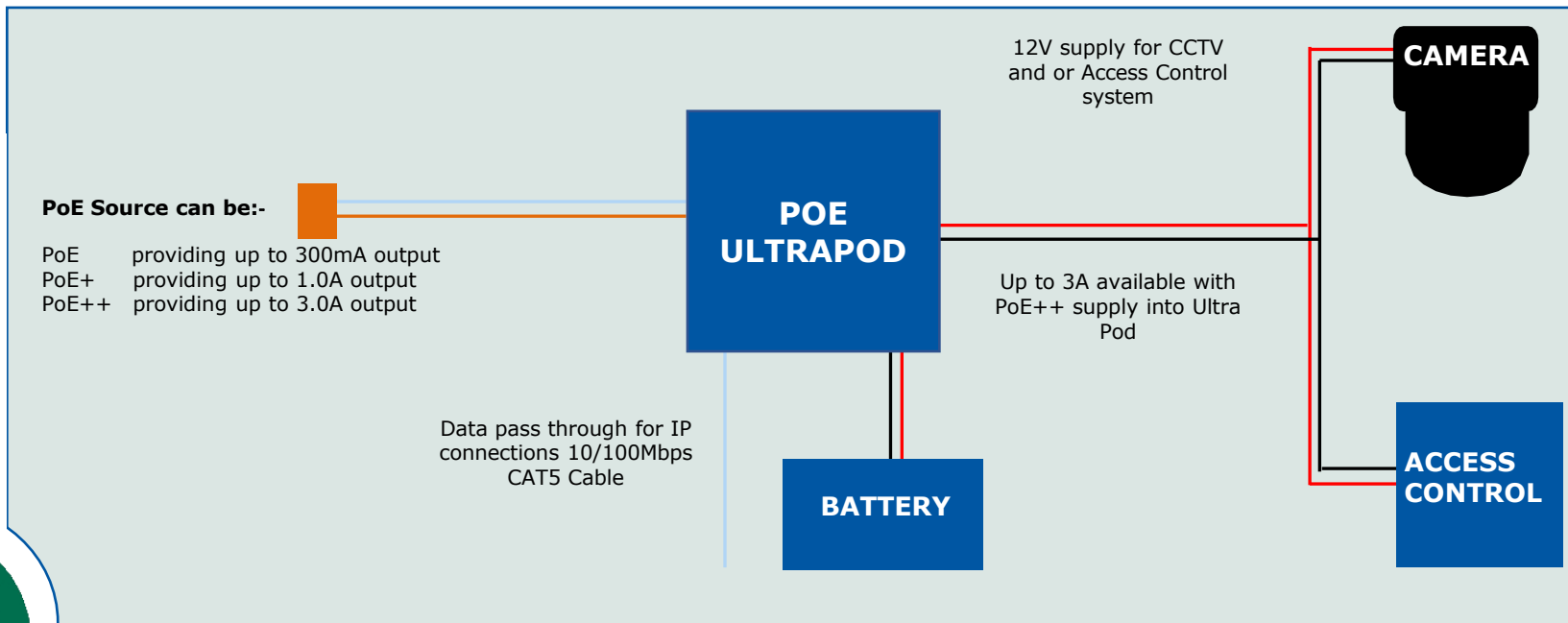
Access Control: PoE Solution



PoE Solution UltraPod

Part Number	Rating	Battery	Box
POE-ULTRA-POD-MOD	Up to 3A	1 x 17Ah	Module Only
POE-ULTRA-POD-B	Up to 3A	1 x 17Ah	330 x 355 x 80

[Datasheet](#)



[Home](#)



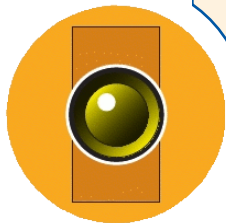
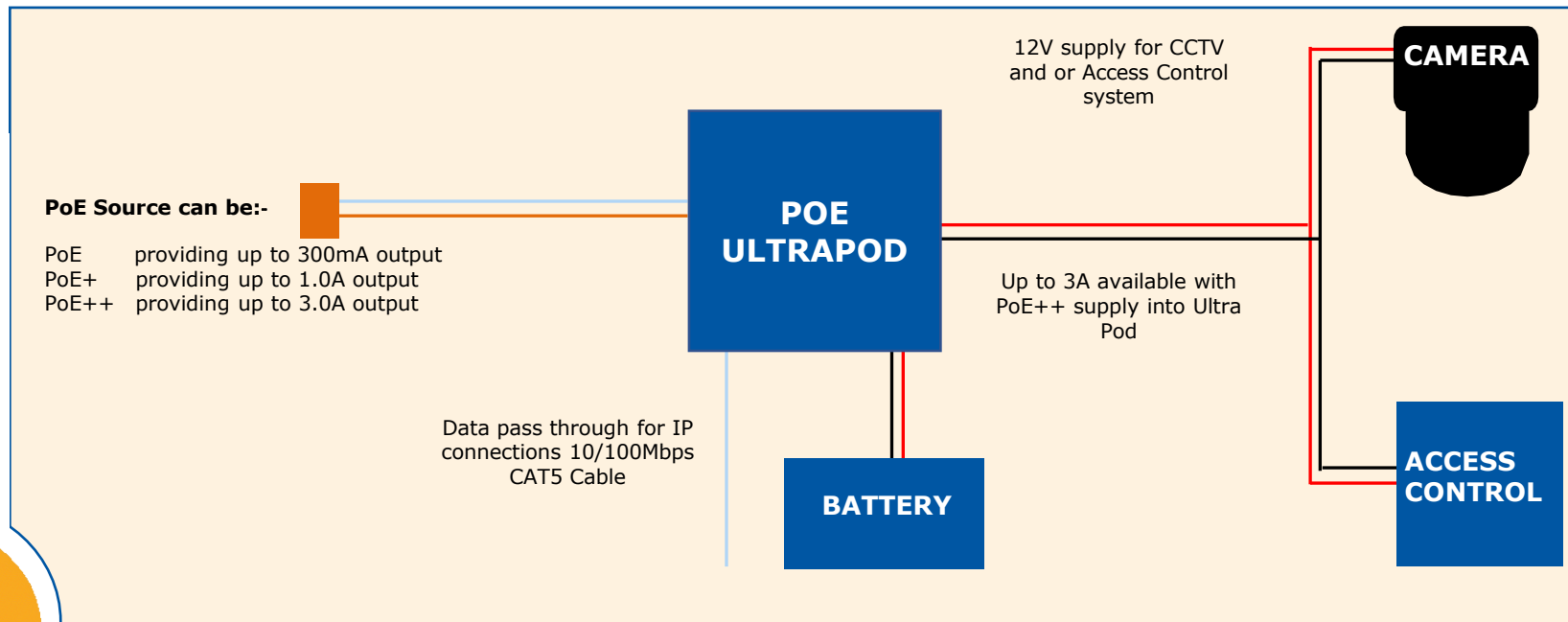
CCTV: PoE Solution



PoE Solution UltraPod

Part Number	Rating	Battery	Box
POE-ULTRA-POD-MOD	Up to 3A	1 x 17Ah	Module Only
POE-ULTRA-POD-B	Up to 3A	1 x 17Ah	330 x 355 x 80

[Datasheet](#)



[Home](#)



PoE Accessories



Part Number	Description
ELM-POE-INJ	802.3af, 1 channel
ELM-POE+INJ	802.3at/af, 1 channel
ELM-UPOE-SWITCH-8	8-Port Ultra PoE Ethernet Switch (Max 380W)
ELM-UPOE-INJ-8	8-Port Ultra PoE Injector Hub (Max 400W)
ELM-UPOE-INJ-16	16-Port Ultra PoE Injector Hub (Max 600W)
ELM-UPOE-INJ	Single port Ultra PoE Injector (Max 60W)

[Datasheet Ultra PoE Injector](#)

[Datasheet Ultra PoE Injector Hub](#)



[Home](#)





Follow Elmdene and keep up-to-date with the latest news and product info:



a  POTTER company

Start Again