

ELMDENE

Protecting People & Property

Elmdene International Ltd
 3 Keel Close, Interchange Park,
 Portsmouth, Hampshire, PO3 5QD, UK

Tel: +44 (0)23 9269 6638
 Fax: +44 (0)23 9266 0483
 Web: www.elmdene.co.uk

FIREFOM-xx-yy PSU Interface Relay

Models:

FIREFOM-12-yy

12Vdc Version (4, 8 & 12 O/P)

FIREFOM-24-yy

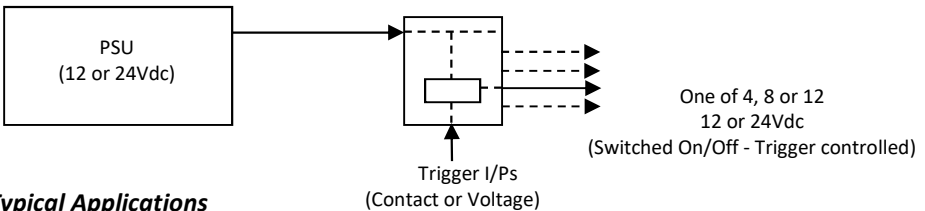
24Vdc Version (4 or 8 O/P)

FEATURES

- Available in 12Vdc or 24Vdc models
- Available with 4, 8 or 12* controllible outputs (*12 V only)
- Multiple Trigger configurations
- Contact rating: 10A @ 12Vdc
- Each output selectable for switched or permanently on
- LED indication when 'Relay Energised'
- Low current consumption
- Standalone device - retrofit into any boxed 12Vdc or 24Vdc PSU

OPERATION

This device provides the functionality to control the output of a PSU by the means of either a Volt Free contact (N/O or N/C) or a low voltage signal (12Vdc/24Vdc), as shown in the block diagram below:



Typical Applications

- Access Control Systems where power is required to be removed from the system devices (i.e. door locks) in the event of a Fire Alarm activation. *Note: For BS7273-4 compliance, it is necessary to use the device in 'Voltage trigger' mode, to provide fail safe operation under open and short circuit conditions.*
- Any system that requires remote control of a Power Supply output (turn on or off) in response to real time events.

CONNECTIONS

I/P:	+	+12Vdc or +24Vdc from PSU O/P
	-	0V from PSU O/P
Trigger:	+	Trigger I/P from control device (+VE or Contact)
	-	Trigger I/P from control device (0V or Contact)
O/P:	+	Auxiliary +Vdc un-switched PSU O/P – or – switched O/P via relay
	-	0V output to load (Common 0V)

Warning: This unit is NOT suitable for switching 240Vac. Mains loads.

Trigger & Jumper Configurations

The device has 3 modes of operation set by the onboard jumpers:

- Contact Mode (Normally Open) - Jumper across: 2 & 3
- Contact Mode (Normally Closed) - Jumpers across: 1 & 2 and 3 & 4
- Voltage Mode - Jumper across: 3 & 4

Trigger Select

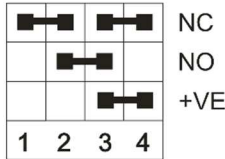
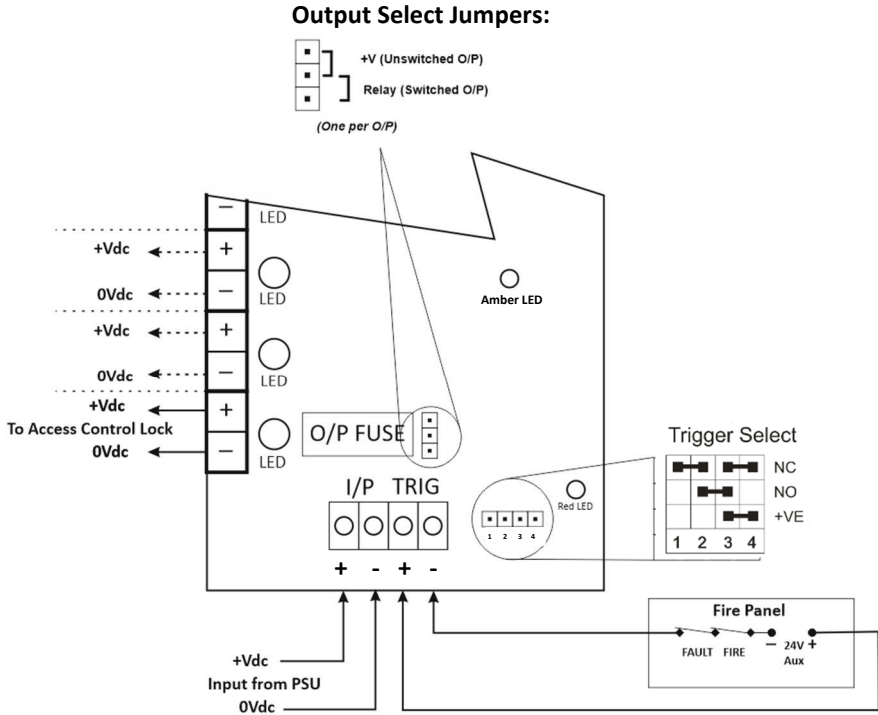


Table 1 defines the output state of the N.O and N.C contacts with respect to Mode selected and Trigger inputs.

	Trigger Select	Jumper(s)	Trigger + & -	Output +v	Amber LED
Contact Mode	N.O	2 & 3	open closed	no output +12/24V	OFF ON
	N.C	1 & 2 3 & 4	open closed	+12/24V no output	ON OFF
Voltage Mode	+VE	3 & 4	applied	+12/24V	ON
			removed	no output	OFF

Note: Trigger Input terminals + and - are only polarity conscious when used in Voltage mode

Typical Setup:



In the example above, power to the lock is removed when the 24Vdc signal from the Fire Alarm Panel is disconnected (*BS7273-4 Compliant*). When trigger select jumper set across 3 and 4.

INSTALLATION AND SET-UP

Note: Ensure all power is removed while connections are made to the device.

1. Ensure PSU voltage matches the PSU Relay Interface rating (12Vdc or 24Vdc).
2. Set Trigger select jumpers to required method.
3. Set output select Jumpers for each output as required
4. Mount PSU Interface Relay using self-adhesive mounting feet supplied.
5. Make required connections.
6. Apply power and ensure red LED lights, test relay operation by using the appropriate Trigger selected.

MAINTENANCE

There is no regular maintenance required of this device.

DISPOSAL OF PRODUCT AT END OF LIFE

This product falls within the scope of EU Directives 2012/19/EU Waste Electrical and Electronic Equipment (WEEE). At the end of life, the product must be separated from the domestic waste stream and disposed via an appropriate approved WEEE disposal route in accordance with all national and local regulations.

For more information see: www.recyclethis.info

SPECIFICATION

Operating Voltage:	12Vdc: 11Vdc to 14Vdc 24Vdc: 20Vdc to 28Vdc (Note: Output voltage will drop by 0.7Vdc when switched)
Current:	Maximum 30mA @ 12.0Vdc (with relay energised)
Switching Load:	10A @ 12Vdc
Dimensions:	L60xW51xH23 (mm)

COMPLIANCE

This product meets the essential requirements of the following EU Directives:

EMC:	2014/30/EU
RoHS2:	2011/65/EU
WEEE:	2012/19/EU



Explanation of symbols: (Not all may apply)



Fault Indication



Shock Risk - isolate before attempting access



Certification Level



Mains Present



Protective Earth



Do not dispose of in unsorted waste

Specifications subject to change without notice

*Packaging supplied with this product may be recycled.
Please dispose of packaging accordingly.*