

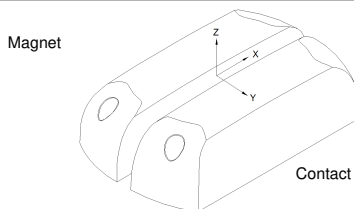
Elmdene International Ltd
 3 Keel Close, Interchange Park,
 Portsmouth, Hampshire, PO3 5QD, UK

Tel: +44(0)23 9269 6638
 Fax: +44(0)23 9266 0483
 Web: www.elmdene.co.uk

LST Series Surface Mounted Magnetic Contact

FEATURES

- Large Surface Terminal contact
- Configurable for Fully Supervised Loop (FSL) & Double Pole wiring
- Single and multiple door operation



COMPLIANCE

This product is designed to meet the requirements of EN50131-2-6:2008 **Grade 2** and Environmental **Class II**. Suitable for use in systems designed to comply with **PD6662:2017**.

END OF LINE RESISTOR - COLOUR CODE

This table details the Contact colour coding system used to associate a Contact with the correct value resistors for your chosen Control Panel.

Colour of Contact Sticker & Bag Label	Last Two Letters of Product Code	Value of Internal Resistors	Connection Mode	Suitable Control Panels
Red	RD	4k7 / 2k2	Series	ADE, Bosch, Castle, Menvier, Pyronix, Scantronic, Texecom
Green	GN	1k / 1k	Series	Honeywell
Blue	BL	8k2 / 8k2	Parallel	Guardall
Grey	GY	4k7 / 4k7	Series	Aritech, HKC, Siemens, Pyronix
Purple	PU	6k8 / 4k7	Series	GardTec
Yellow	YL	2k2 / 2k2	Series	Bosch, Europlex
Orange	OR	5k6 / 5k6	Series	DSC

INSTALLATION

Step 1 Choose configuration for EOL resistors and number of doors. See figures 1 - 4

Step 2 Cut links according to figure

Operating Distances		Switch mounted on non-magnetic surface (e.g. Wood, PVC, Aluminium)	Switch mounted on magnetic surface* (e.g. Iron, Steel)
Y	Min Close (mm)	35	25
	Max Open (mm)	54	36
+/- X	Min Close (mm)	13	11**
	Max Open (mm)	19	18**
Z	Min Close (mm)	34	37**
	Max Open (mm)	67	53**

*For guidance purposes only

**At Y = 6mm

CONNECTION

FSL/EOL

Figure 1 - Single Leaf Door Arrangement
Shunt Resistor + End Of Line Resistor (Series)

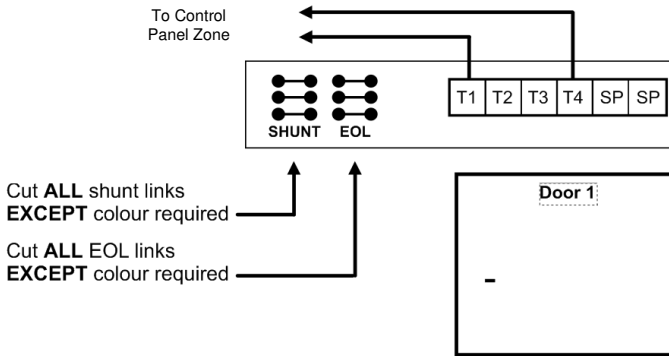
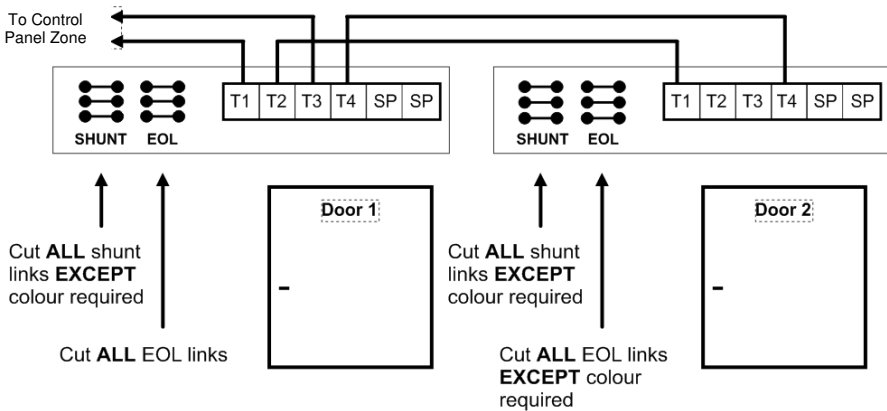


Figure 2 - Double Leaf Door Arrangement
Shunt Resistors + End Of Line Resistor (Series)



Note: If a tamper or fault condition occurs when both doors are open see fig. 5 for alternative connection

Figure 3 **Single Leaf Door Arrangement**

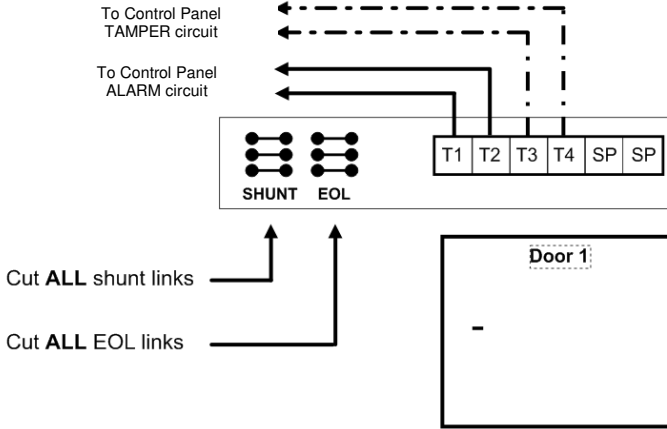


Figure 4 - **Double Leaf Door Arrangement**

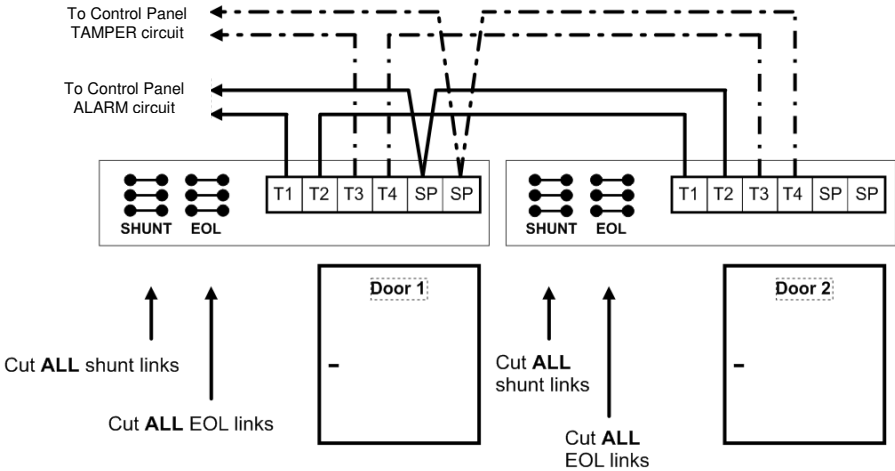
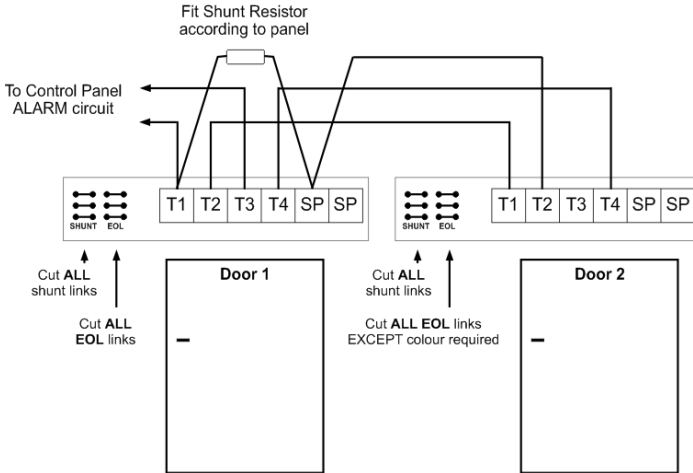


Figure 5 - Double Leaf Door Arrangement
Alternative Configuration



SPECIFICATION

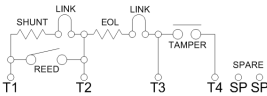
CONTACT

Material	Rhodium
Power Handling	10VA
Voltage Rating	100Vdc, 150Vac max.
Current Rating (Switch)	1A
Current Rating (Carry)	1.5A max.
Resistance	<300mOhms
Operating Life	>1x10 ⁶ operations

HOUSING

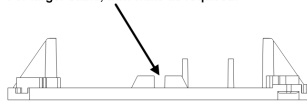
Material	Plastic - ABS
Sensor/Magnet Dimensions	93 x 25 x 25mm
Sensor Fixing Centres	52mm
Mounting Screws	M3
Magnet Fixing Centres	45mm
Mounting Screws	M3
IP Rating	IP40
Temperature Range	-10°C to +40°C

Circuit Diagram

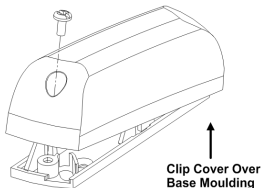


Cable Grip

Cable grip designed for 4 or 6 core cable.
For larger cable, trim walls as required.



Lid Attachment



Fixing Positions

